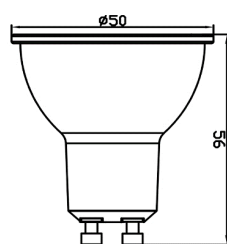


Product Datasheet



Products Family : Bulbs & Tubes
Products Name : GU10 Bulbs

Datasheet is valid for following Model numbers

Product Code	CCT	Socket
BA24-00550	3000K	GU10
BA24-00551	4000K	GU10
BA24-00553	6500K	GU10

Manufacturer:
Demgrup international lighting limited
unit d 16/f,one capital place,18 luard road
wan chai, Hong Kong
www.demgrup.com.tr

Importer / Company:
Braytron S.R.L
Bulevardul iuliu maniu,nr.616, corp B
etaj 1 sector 6,061129 bucuresti, Romania
info@braytron.com www.braytron.com

Test condition:light for 30 mins under nominal voltage input and 25°C±1°working environment

General Characteristics

- Family : Bulbs & Tubes
- Sub Family : GU10 Bulbs
- Mounting Type : Socket
- Lamp Shape : Non-Directional
- Dimmable : Not-Dimmable
- Light Source : LED
- Socket : GU10
- Warranty : 2 yrs
- Class : CLASS II
- IP : IP20

Lamp Characteristics

- Wattage : 5 w
- Color Temperature : 3000K/4000K/6500K
- Luminous Flux(whole Product) : 430 lm
- Luminous Flux(LED System) : 430 lm
- Color Rendering Index(CRI) : > 80
- Energy Efficiency Level : F
- Beam Angle : 110 degree(s)
- Chromaticity(SDCM) : < 6

Electrical Characteristics

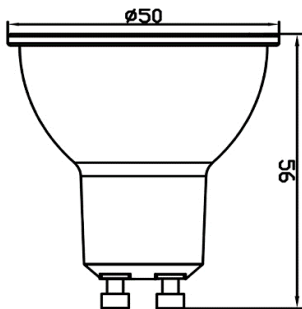
- Lifetime (L70B50) : 15000 hrs
- Input Voltage : 220-240V
- Frequency : 50-60 Hz
- Power Factor : >0,5
- Starting Time : < 0.5 s
- Lumen Maintenance Factor : > 0.899
- Number of Switch Cycles : > 12500
- Material : Thermoplastic
- Working Temperature : -20°C~+45°C
- Storage Temperature : -20°C~+60°C
- Environment humidity(working) : 10%~65%

Test condition:light for 30 mins under nominal voltage input and 25°C±1°working environment

Lamp Dimensions & Weight

- Diameter : 50 mm
- Height : 56 mm
- Weight(Net) : 25 gr
- Cutout :

Technical Drawing(s)



Reliability requirements and Test Conditions

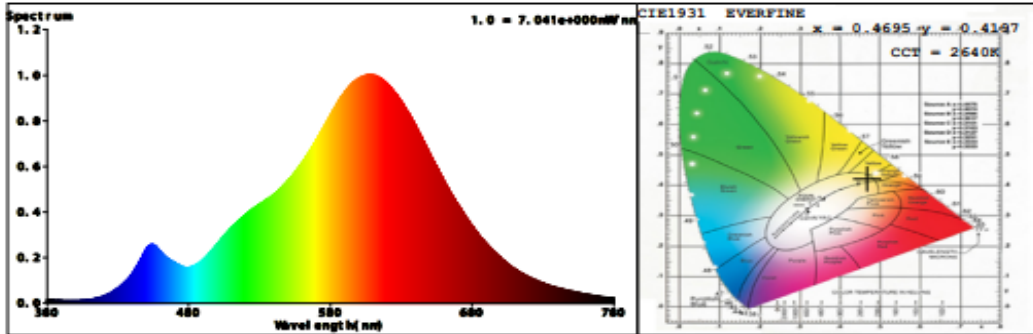
- **Lumen maintenance**
Lumen maintenance is not lower than 89.9% after lighting for 2.5h on and 0.5h off for one cycle.
Total 1200 cycle and 3600h including 3000h on and 600h off.
- **Working life (L70B50)**
Under nominal voltage input, working life is forced not lower than 15000 h at 25°C±1°C
- **Remarks:**
Declared values above may vary ±5



Test condition:light for 30 mins under nominal voltage input and 25°C±1°working environment

Optical and electrical test parameter:

Spectrum



Spectral Distribution

CIE1931 Chromaticity Diagram

Colorimetric Parameters

Chromaticity Coordinate: $x = 0.4695$ $y = 0.4197$ / $u' = 0.2646$ $v' = 0.5322$ ($duv=2.54e-03$) $Dx,Dy:0.0000,0.0000$

CCT= 2640K Prcp WL: Ld=583.7nm Purity=66.9%

Peak WL: Lp=608nm FWHM: =118.9nm Ratio:R=27.3% G=0.0% B=0.0%

Render Index: Ra = 82.5 CRI = 77.4 AvgR = 77.1

R1 =80 R2 =91 R3 =97 R4 =80 R5 =81 R6 =90 R7 =83

R8 =58 R9 =9 R10=80 R11=79 R12=75 R13=83 R14=99 R15=72

Photometric & Radiometric Parameters

Flux = 410.15 lm Eff. : 80.58 lm/W Fe = 1.1512 W

Tb: 20.0 deg

Electrical parameters

V = 230.3 V I = 0.03983 A P = 4.819 W PF = 0.5253