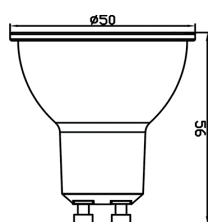


Product Datasheet



Products Family : Bulbs & Tubes
Products Name : GU10 Bulbs

Datasheet is valid for following Model numbers

Product Code	CCT	Socket
BA24-00750	3000K	GU10
BA24-00751	4000K	GU10
BA24-00753	6500K	GU10

Manufacturer:
Demgrup international lighting limited
unit d 16/f,one capital place,18 luard road
wan chai, Hong Kong
www.demgrup.com.tr

Importer / Company:
Braytron S.R.L
Bulevardul iuliu maniu,nr.616, corp B
etaj 1 sector 6,061129 bucuresti, Romania
info@braytron.com www.braytron.com

Test condition:light for 30 mins under nominal voltage input and 25°C±1°working environment

General Characteristics

- Family : Bulbs & Tubes
- Sub Family : GU10 Bulbs
- Mounting Type : Socket
- Lamp Shape : Non-Directional
- Dimmable : Not-Dimmable
- Light Source : LED
- Socket : GU10
- Warranty : 2 yrs
- Class : CLASS II
- IP : IP20

Lamp Characteristics

- Wattage : 7 w
- Color Temperature : 3000K/4000/6500K
- Luminous Flux(whole Product) : 580 lm
- Luminous Flux(LED System) : 580 lm
- Color Rendering Index(CRI) : > 80
- Energy Efficiency Level : G
- Beam Angle : 110 degree(s)
- Chromaticity(SDCM) : < 6

Electrical Characteristics

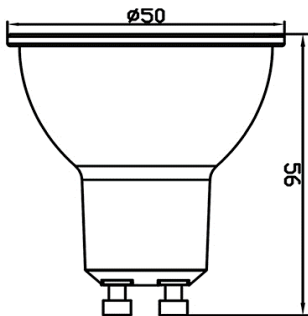
- Lifetime (L70B50) : 15000 hrs
- Input Voltage : 220-240V
- Frequency : 50-60 Hz
- Power Factor : >0,5
- Starting Time : < 0.5 s
- Lumen Maintenance Factor : > 0.899
- Number of Switch Cycles : > 12500
- Material : Thermoplastic
- Working Temperature : -20°C~+45°C
- Storage Temperature : -20°C~+60°C
- Environment humidity(working) : 10%~65%

Test condition:light for 30 mins under nominal voltage input and 25°C±1°working environment

Lamp Dimensions & Weight

- Diameter : 50 mm
- Height : 56 mm
- Weight(Net) : 32 gr
- Cutout :

Technical Drawing(s)



Reliability requirements and Test Conditions

- **Lumen maintenance**
Lumen maintenance is not lower than 89.9% after lighting for 2.5h on and 0.5h off for one cycle.
Total 1200 cycle and 3600h including 3000h on and 600h off.
- **Working life (L70B50)**
Under nominal voltage input, working life is forced not lower than 15000 h at 25°C±1°C
- **Remarks:**
Declared values above may vary ±5

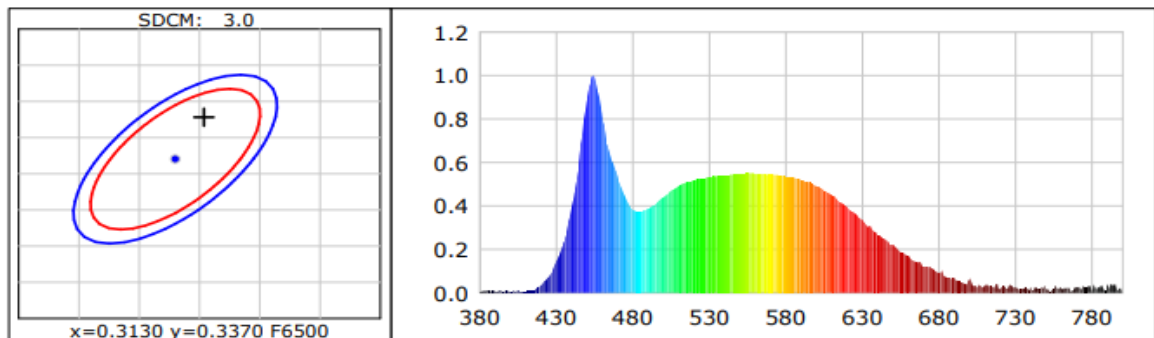


Test condition: light for 30 mins under nominal voltage input and 25°C±1° working environment

Optical and electrical test parameter:

CIE Colorimetric Parameters

Chromaticity coordinates: $x=0.3154$ $y=0.3428$ $u(u')=0.1946$ $v=0.3173$ $v'(v')=0.4759$
 CCT: $T_c=6282K$ ($duv=0.00880$) Color Ratio: $R=0.134$ $G=0.804$ $B=0.062$
 Peak Wavelength: 453.9nm Half Bandwidth: 29.1nm
 Dominant Wavelength: 498.6nm Color Purity: 0.056
 CRI: $R_a=86.0$ TM30: $R_f=82$, $R_g=92$
 $R1=84$ $R2=88$ $R3=91$ $R4=86$ $R5=83$ $R6=83$ $R7=93$ $R8=76$
 $R9=20$ $R10=71$ $R11=86$ $R12=54$ $R13=85$ $R14=95$ $R15=80$
 Color Quality Scale: $Q_a=83.5$, $Q_f=83.9$, $Q_p=81.6$, $Q_g=89.0$
 $Q1=80$ $Q2=96$ $Q3=86$ $Q4=76$ $Q5=78$ $Q6=79$ $Q7=84$ $Q8=90$
 $Q9=97$ $Q10=94$ $Q11=89$ $Q12=87$ $Q13=86$ $Q14=75$ $Q15=78$



Photometric Parameters

Luminous Flux: 584.31 lm Efficiency: 87.21 lm/W Radiant Power: 1.869 W
 EEI: 0.15 Energy Efficiency Class: A+ (EU 874-2012)

Electric Parameters

Voltage: 230.90V Current: 0.0570A Power: 6.70W
 Power Factor: 0.5120 Frequency: 49.98Hz