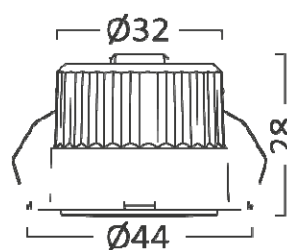


Product Datasheet



Products Family : Led Lighting Fixture
Products Name : Led Spotlight

Datasheet is valid for following Model numbers

Product Code	CCT	Body Color
BH06-00209	3000K	3 Color
BH06-00219	4000K	3 Color
BH06-00239	6500K	3 Color

Manufacturer:
Demgrup international lighting limited
unit d 16/f,one capital place,18 luard road
wan chai, Hong Kong
www.demgrup.com.tr

Importer / Company:
Braytron S.R.L
Bulevardul iuliu maniu,nr.616, corp B
etaj 1 sector 6,061129 bucuresti, Romania
info@braytron.com www.braytron.com

Test condition:light for 30 mins under nominal voltage input and 25°C±1°working environment

General Characteristics

- Family : Led Lighting Fixture
- Sub Family : Led Spotlight
- Mounting Type : Recessed Mounting
- Lamp Shape : Directional
- Dimmable : Not-Dimmable
- Light Source : LED
- Warranty : 2 years
- Class : Class II
- IP : IP54
- IK : IK06

Lamp Characteristics

- Wattage : 3 w
- Color Temperatue : 3000K/4000K/6500K
- Luminous Flux(whole Product) : 210 lm
- Luminous Flux(LED System) : 210 lm
- Color Rendering Index(CRI) : > 80
- Energy Efficiency Level : G
- Beam Angle : 38 Degree(s)
- Chromaticity(SDCM) : < 6

Electrical Characteristics

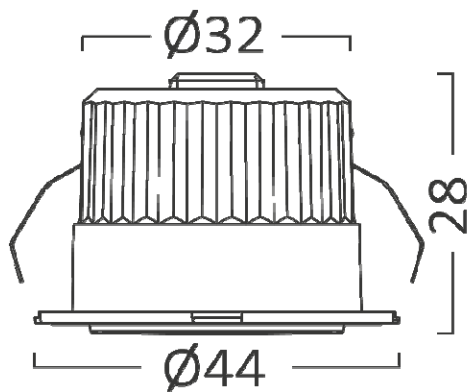
- Lifetime (L70B50) : 20000 h
- Input Voltage : 220-240V
- Frequency : 50-60 Hz
- Power Factor : > 0.5
- Starting Time : < 0.5 s
- Lumen Maintenance Factor : > 0.899
- Number of Switch Cycles : > 15000
- Material : Plastic
- Working Temperature : -20°C~+45°C
- Storage Temperature : -20°C~+60°C
- Environment humidity(working) : 10%~65%

Test condition:light for 30 mins under nominal voltage input and 25°C±1°working environment

Lamp Dimensions & Weight

- Diameter(mm) : 44
- Length(mm) :
- Width(mm) :
- Height(mm) : 28
- Cutout(mm) : 32
- Weight(kg) : 26

Technical Drawing(s)



Reliability requirements and Test Conditions

- **Lumen maintenance**

Lumen maintenance is not lower than 89.9% after lighting for 2.5h on and 0.5h off for one cycle.
Total 1200 cycle and 3600h including 3000h on and 600h off.

- **Working life (L70B50)**

Under nominal voltage input, working life is forced not lower than 20000 h at 25°C±1°C

- **Remarks:**

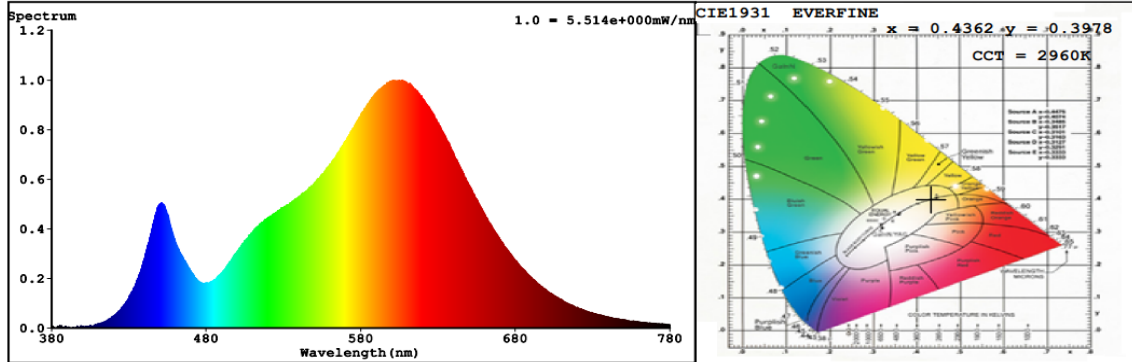
Declared values above may vary ±5



Luminare is intended to use in outdoor applications

Test condition: light for 30 mins under nominal voltage input and 25°C±1° working environment

Optical and electrical test parameter:



Spectral Distribution

CIE1931 Chromaticity Diagram

Colorimetric Parameters

Chromaticity Coordinate: $x = 0.4362$ $y = 0.3978$ / $u' = 0.2529$ $v' = 0.5188$ ($duv = -2.44e-03$)

CCT= 2960K Prcp WL: Ld=583.9nm Purity=50.3%

Peak WL: Lp=607nm FWHM: =122.8nm Ratio:R=23.3% G=74.1% B=2.6%

Render Index: Ra = 82.7

R1 =81 R2 =92 R3 =96 R4 =81 R5 =82 R6 =90 R7 =82

R8 =58 R9 =7 R10=81 R11=81 R12=76 R13=84 R14=98 R15=74

Photometric & Radiometric Parameters

Flux = 264.19 lm Eff. : 84.13 lm/W Fe = 813.67 mW

Electrical parameters

V = 230.2 V I = 0.02835 A P = 3.140 W PF = 0.4811 F=50.00 Hz

Darkroom Test report

